

Twin Compression Gemini

GEM



Frequent Applications

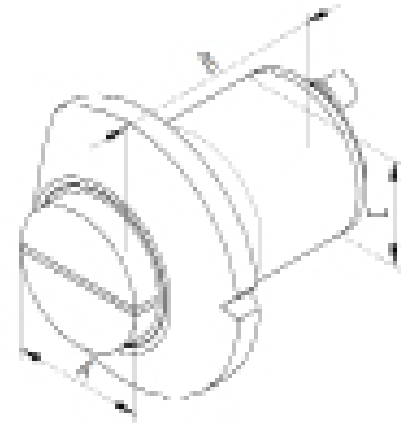
- Aerospace
- Bars
- Billets
- Bond testing
- Castings
- Ceramics
- Composites
- Lamination
- Forgings
- Glass
- Solder joints
- Machined parts
- Thickness
- Tube & pipe
- General welds

Features

- Dual normal beam compression wave contact probe.
- Semi-circular/rectangular lead zirconate titanate crystal.
- Medium damped for medium bandwidth.
- Available with high temperature (HT) and short focus (F) shoes.

Transducer Models

type	f	∅/ a × b	N
p/n	(MHz)	(mm)	(mm)
GEM2-10	2.25	4 × 8	15
GEM4-10	4	10	15
GEM5-10	5	4 × 8	15
GEM5-10F	5	4 × 8	9
GEM2-10HT	2.25	4 × 8	15
GEM4-10HT	4	10	15
GEM5-10HT	5	4 × 8	15



Size Options				Connector Options										
Probe Size (mm)	Case Dimensions (mm)			Connector Type						Connector Position				
	∅	A	B	C	BNC (B)	Lemo 1 (L)	Lemo 00 (Z)	Microdot (D)	Subvis (S)	UHF (U)	Top (T)	Rear (R)	Side	Cable
10	17	32	19	-	-	•	•	•	-	•	-	-	-	-