

Twin Compression Combined Double CD



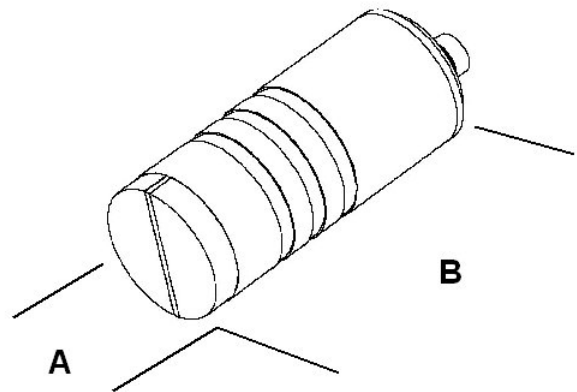
Features

- Dual normal beam compression wave contact probe.
- Semi-circular/rectangular, lead zirconate titanate crystal.
- Medium damped for medium bandwidth.
- Available with high temperature (HT) and short focus (F) shoes.
- Tubular, knurled stainless steel case for easier mechanical integration.
- Lamination
- Machined parts
- Thickness
- Tube & Pipe
- Composites

Frequent Applications

- Aerospace
- Bars & Billets
- Bond Testing
- Castings & Forgings
- Ceramics

Transducer Models			
type	f	∅/ a × b	N
p/n	(MHz)	(mm)	(mm)
CD1-15 / 1-15HT	1.25	15	20
CD1-20 / 1-20HT	1.25	20	25
CD2-10 / 2-10HT	2.25	4 × 8	7
CD2-15 / 2-15HT	2.25	5 × 13	16
CD2-20 / 2-20HT	2.25	6 × 17	19
CD2-25 / 2-25HT	2.25	25	38
CD5-10 / 5-10HT	5	4 × 8	15
CD5-15 / 5-15HT	5	5 × 13	16
CD5-20 / 5-20HT	5	20	25
CD5-25	5	25	38
CD5-10F	5	4 × 8	9



Size Options			Connector Options										
Probe Size (mm)	Case Dimensions (mm)		Connector Type							Connector Position			
	∅	A	B	BNC (B)	Lemo 1 (L)	Lemo 00 (Z)	Microdot (D)	Subvis (S)	UHF (U)	Top (T)	Rear (R)	Side	Cable
10	17.0	41.0	-	-	•	•	•	-	•	-	-	-	
15	22.0	48.0	-	-	•	•	•	-	•	-	-	-	
20	27.0	56.0	-	-	•	•	•	-	•	-	-	-	
25	35.0	66.0	-	-	•	•	•	-	•	-	-	-	